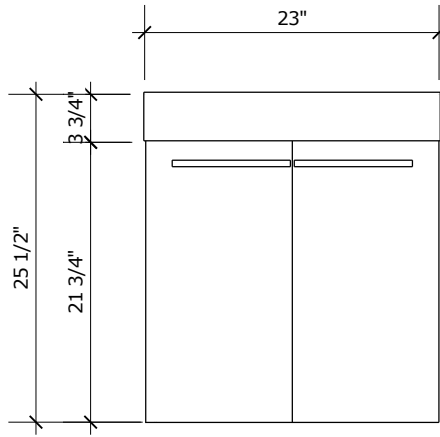
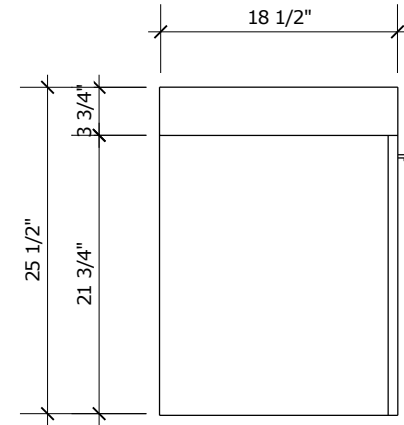


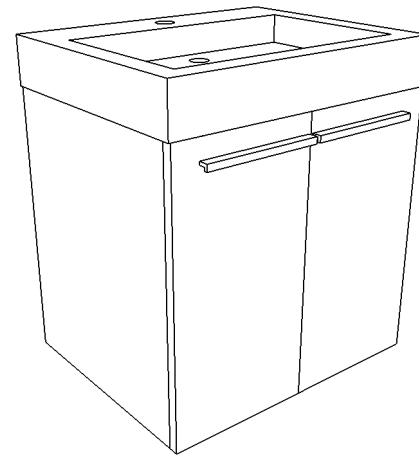
PLAN



FRONT
ELEVATION



SIDE
ELEVATION

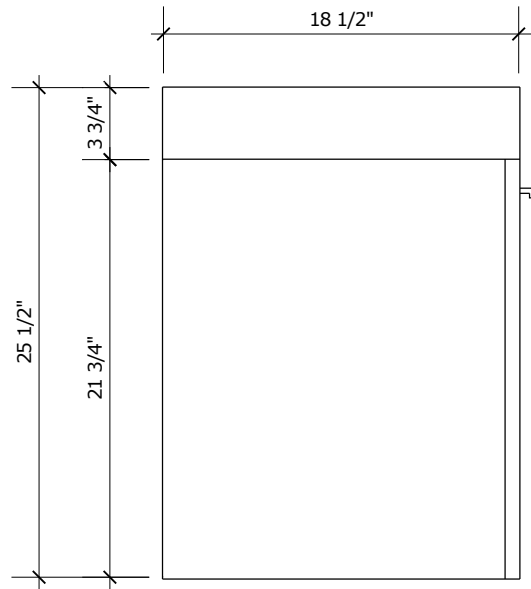


PERSPECTIVE

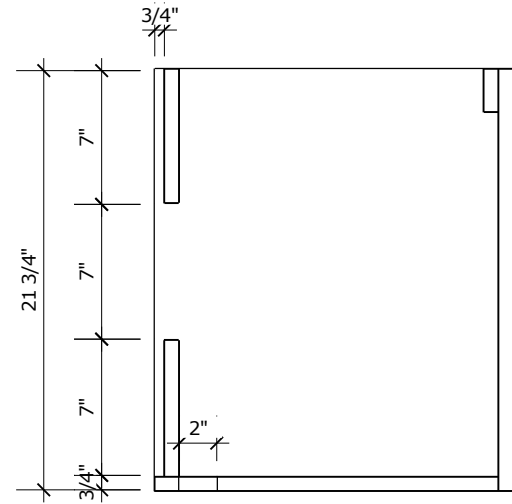
PROJECT NAME: T580-3
WORKTOP: POLYMER RESIN
DOOR SHAPE: PLAIN
COLOUR TYPE: HIGH GLOSS WHITE OR
 LAMINATE

muti
KITCHEN & BATH

T580-3



SIDE ELEVATION



SECTION

PROJECT NAME: T580-3
WORKTOP: POLYMER RESIN
DOOR SHAPE: PLAIN
COLOUR TYPE: HIGH GLOSS WHITE OR LAMINATE

muti
KITCHEN & BATH

T580-3